

INSTRUCCIONES DE INSTALACIÓN / INSTALLATION INSTRUCTIONS

684034/39104

2004 - 2008 CHEVROLET COLORADO DOUBLE CAB.

Lista de partes / Parts list:



2047-32(2PC)

Rear Brackets
Soportes traseros
Supports



2049-11(1PC)

Passenger Rear Brackets
Soportes traseros lado pasajero
Supports



2047-31(3PCS)

Front Brackets
Soportes frontales
Supports



2047-33(6PCS)

Pinch Weld Bracket
Angulos de soporte
Ferrure de support



5/16" x 3/4"
Square Bolts



Washers
Rondana 1"
Rondelles po



1/4"x1" Bolts
Tornillos de 1/4"
Boulons 1/4 po



Self-Tapping Screws
Tomillos autorroscantes
Vis autofrataudeuses



1/4" Washers
Rondanas 1/4"
Rondelles 1/4 po

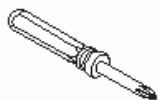


1/4" Nylock Nuts
Tuercas de 1/4"
Ecrouts 1/4 po



5/16" Nuts
Tuercas de 5/16"
Ecrouts 5/16 po

Herramienta Requerida / Tools required:



Screw Driver
Desarmador
Tournevis



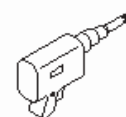
Socket Set
Juego de llaves de cubo
Jeu de douilles



5/16" Standard Wrench Set
Juego de llaves de tuercas estandar
Jeu de clef standard



1/4" Standard Wrench Set
Juego de llaves de tuercas estandar
Jeu de clef standard



Drill
Taladro
Perceuse



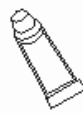
Hammer
Martillo
Marteau



1/8" Drill Bit



5/16" Drill Bit



Silicone
Silicona
Silicone



Center Punch
Punzon de marcar
Pointeau



Floor Jack
Gato de piso
Cric roulant

Instrucciones / Instructions:

Tiempo aprox. de instalación / Aproximated installation time: 60 min.

Thank you for purchasing one of the many quality items manufactured by BIG COUNTRY. We take the utmost pride in our products and want you to enjoy years of satisfaction from your investment.

This product has been designed and engineered to correctly fit and complement only the vehicle(s) listed in the heading. For easiest installation and the best final appearance, read the complete instruction BEFORE you begin.

Gracias por comprar uno de los muchos articulos de calidad fabricados por BIG COUNTRY. Nuestros productos nos enorgullecen en gran manera y deseamos que usted disfrute de años de satisfaccion en su inversion.

Este producto se ha diseñado y desarrollado tecnicamente para adaptarse correctamente solo al(los) vehiculo(s) indicado(s) en el encabezado y complementarlo(s).

Para facilitar la instalacion y obtener el mejor aspecto final, lea todas las instrucciones antes de comenzar.

Nous vous remercions d'avoir achete un des nombreux articles de qualite fabriques par BIG COUNTRY, Inc. Nous sommes extremement fiers de nos produits et nous voulons que vous soyez satisfaits pendant des annees de votre investissement.

Ce produit a ete concu et mis au point afin qu'il s'ajuste correctement et s'agence uniquement au(x) vehicule(s) enumere(s) dans l'entete.

Pour faciliter l'installation et obtenir la meilleure apparence finale possible, lire les directives au complet AVANT de commencer.

Recomendaciones de cuidado y mantenimiento:

Diseño:

Calidad:

Para proteger el acabado de este producto, mantengalo limpio para evitar la corrosión y no utilice ceras abrasivas.

Cleaning and care instructions:

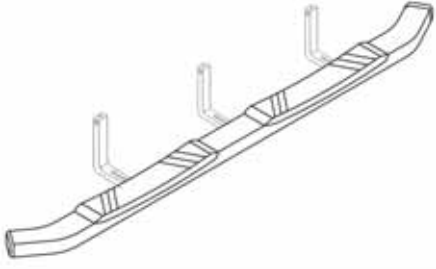
Protect the finish with a non-abrasive automotive wax, (e.g. Pure Carnauba) on a regular basis. The use of any soap, polish, or wax that contains an abrasive is detrimental to the finish, as the compounds scratch the finish and cause corrosion.

INSTRUCCIONES DE INSTALACIÓN / INSTALLATION INSTRUCTIONS

684034/39104

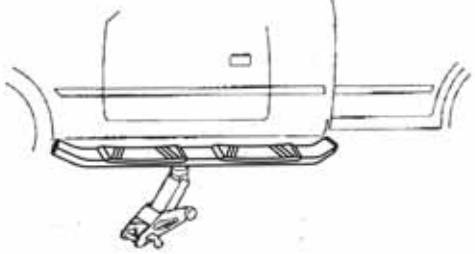
2004 - 2008 CHEVROLET COLORADO DOUBLE CAB.

1



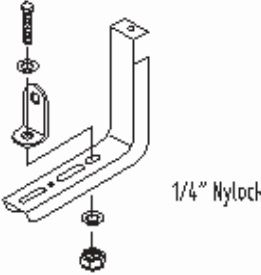
NOTE: Preassemble boards according to running board instruction sheet.
LAP2049= 3 Brackets / side

2



NOTE: Raise board into place with floor jack.
Center board on rocker panel.

3



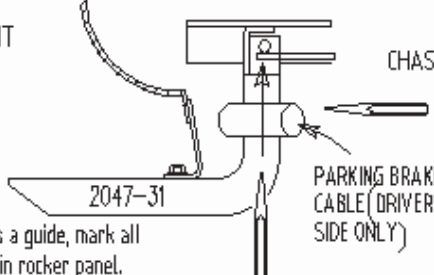
1/4" BOLT
2047-33

1/4" Nylock

NOTE: Assemble brackets per illustration.

4

FRONT



CHASSIS

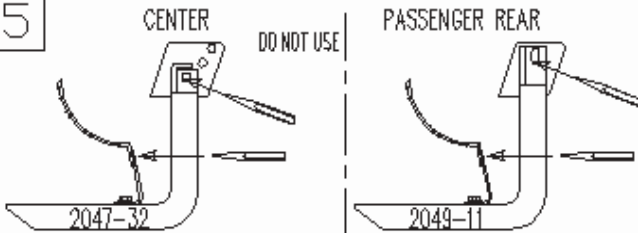
2047-31

PARKING BRAKE CABLE (DRIVERS SIDE ONLY)

NOTE: Using bracket as a guide, mark all hole locations in rocker panel.

5

CENTER DO NOT USE PASSENGER REAR



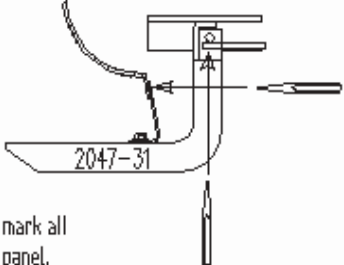
2047-32

2049-11

NOTE: Using bracket as a guide, mark all hole locations in rocker panel.

6

DRIVERS REAR

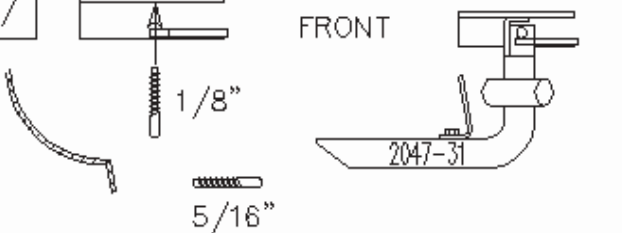


2047-31

NOTE: Using bracket as a guide, mark all hole locations in rocker panel.

7

FRONT



1/8"

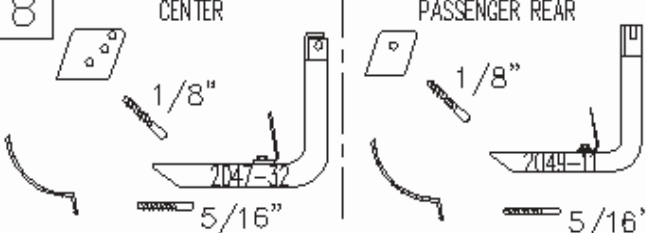
5/16"

2047-31

NOTE: Lower board and drill upper holes 1/8" diameter and lower 5/16" diameter.

8

CENTER PASSENGER REAR



1/8"

5/16"

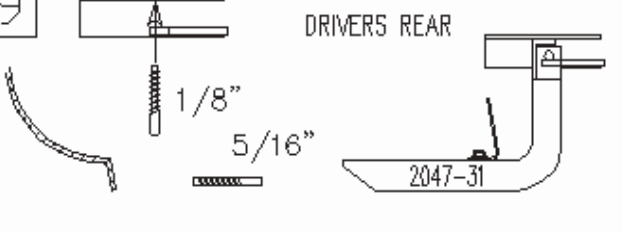
2047-32

2049-11

NOTE: Lower board and drill upper holes 1/8" diameter and lower 5/16" diameter.

9

DRIVERS REAR



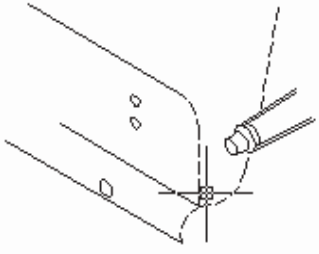
1/8"

5/16"

2047-31

NOTE: Lower board and drill upper holes 1/8" diameter and lower 5/16" diameter.

10



NOTE: Place a small bead of silicon in each hole.

Recomendaciones de cuidado y mantenimiento:

Diseño:

Calidad:

Para proteger el acabado de este producto, mantengalo limpio para evitar la corrosión y no utilice ceras abrasivas.

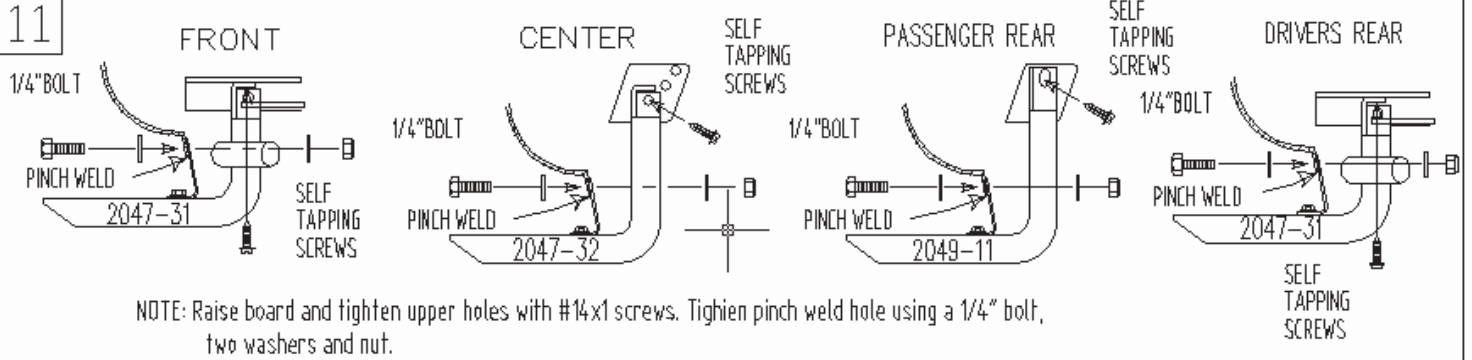
Cleaning and care instructions:

Protect the finish with a non-abrasive automotive wax, (e.g. Pure Carnauba) on a regular basis. The use of any soap, polish, or wax that contains an abrasive is detrimental to the finish, as the compounds scratch the finish and cause

INSTRUCCIONES DE INSTALACIÓN / INSTALLATION INSTRUCTIONS

684034/39104

2004 - 2008 CHEVROLET COLORADO DOUBLE CAB.



Recomendaciones de cuidado y mantenimiento:

Diseño:

Calidad:

Para proteger el acabado de este producto, mantengalo limpio para evitar la corrosión y no utilice ceras abrasivas.

Cleaning and care instructions:

Protect the finish with a non-abrasive automotive wax, (e.g. Pure Carnauba) on a regular basis. The use of any soap, polish, or wax that contains an abrasive is detrimental to the finish, as the compounds scratch the finish and cause corrosion.

Revisado / Revised 11/02/08

G:\Usuarios\Diseño\Instructivos PDF\39S\39104.Pdf